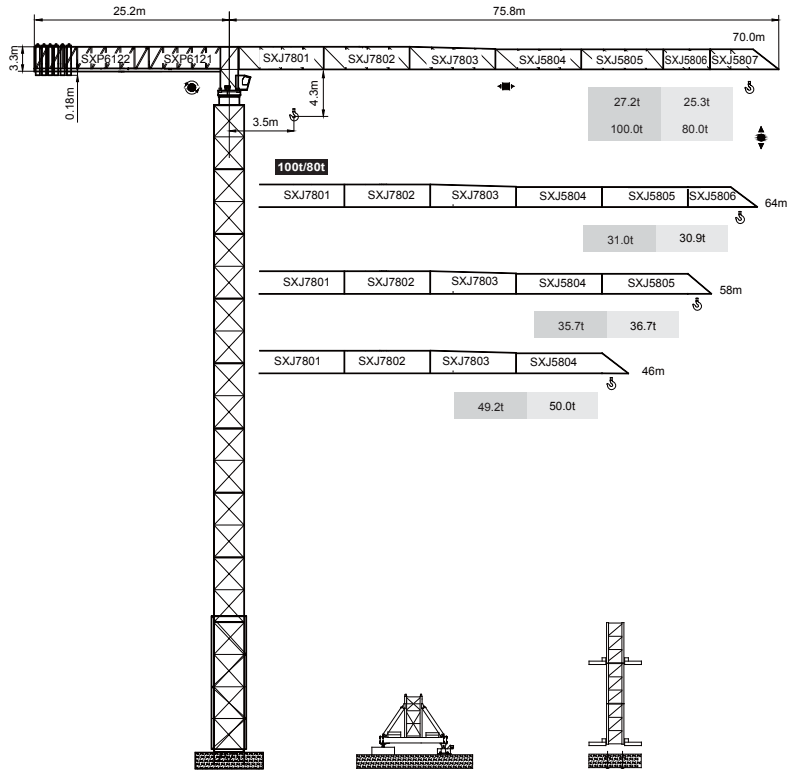


永茂建机  
YONGMAO

STT2200  
100t/80t



CE FEM

Topless

V 5.0-09112014

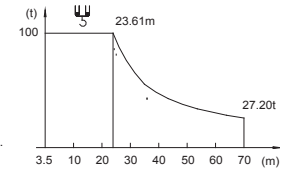
平頭系列

STT2200  
100t/80t

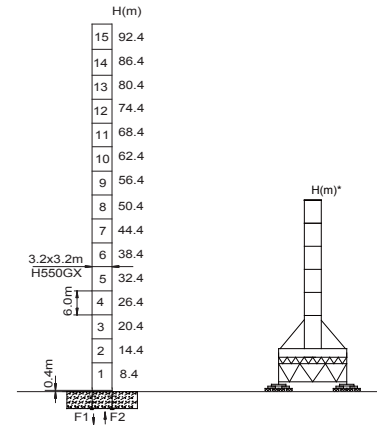
載荷表 Load Chart

STX-100-A(B)-2-V1.0

R	倍率 Fall	R(Cmax) (m)	Cmax (t)	20	25	30	35	40	46	50	55	58	60	64	70
70	UU	23.61	100.00	100.00	93.60	75.90	63.50	54.20	45.90	41.50	36.90	34.60	33.10	30.50	27.20
64	UU	23.88	100.00	100.00	94.90	76.90	64.80	55.00	46.60	42.10	37.50	35.10	33.60	31.00	
58	UU	24.20	100.00	100.00	96.40	78.10	65.40	55.90	47.40	42.80	39.11	35.70			
46	UU	25.00	100.00	100.00	100.00	81.00	67.80	58.00	49.20						



\* 76m臂長組合為特配，請與製造商聯繫。  
76m jib combination is special configuration. Please contact Yongmao for details.



	●	■
F1	*	*
F2	*	*
⊗	*	

● 工作狀態支反力 In service reaction      ■ 非工作狀態支反力 Out of service reaction  
⊗ 整機自由高度重量 (不含平衡重及壓重重量) Total weight of free standing crane (excludes counter weight & ballast.)

Topless STT2200

Topless STT2200  
Topless STT2200



YONGMAO HOLDINGS LIMITED



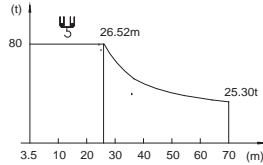
YONGMAO HOLDINGS LIMITED

# STT2200

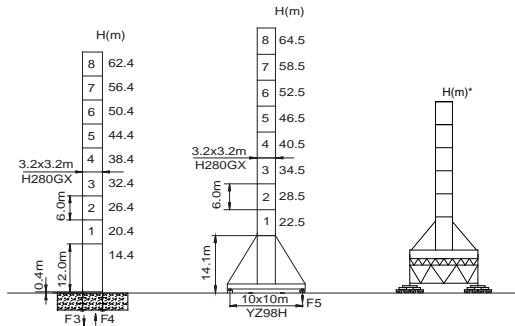
## 100t/80t

STX-80-A(B)-2-V1.0

R	倍率 Fall	R(Cmax) (m)	Cmax (t)	25	30	35	40	46	50	55	58	60	64	70
70	UU	26.52	80.00	80.00	69.54	58.29	49.93	42.36	38.36	34.18	32.03	30.72	28.34	<b>25.30</b>
64	UU	28.38	80.00	80.00	75.12	63.04	54.07	45.95	41.65	37.17	34.86	33.45	<b>30.90</b>	
58	UU	29.58	80.00	80.00	78.75	66.13	56.77	48.29	43.79	39.11	<b>36.70</b>			
46	UU	30.47	80.00	80.00	80.00	68.41	58.75	<b>50.00</b>						



\* 76m臂長組合為特配，請與製造商聯繫。  
76m jib combination is special configuration. Please contact Yongmao for details.



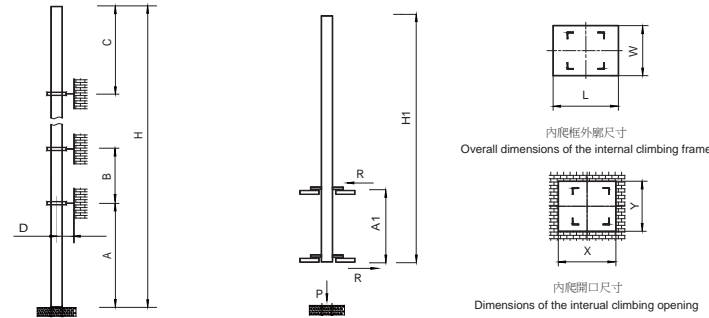
	●	■
F3	645t	237t
F4	372t	28t
⊗	360t	

● 工作狀態支反力 In service reaction    ■ 非工作狀態支反力 Out of service reaction  
⊗ 整機自由高度重量 (不含平衡重及壓重重量) Total weight of free standing crane (excludes counter weight & ballast)

# 平頭系列

# STT2200

## 100t/80t



塔身節 Mast	A (m)	B (m)	C (m)	D (m)	H (m)
H280GX	48	36	48	>5.0	160 >160*

塔身節 Mast	H1 (m)	A1 (m)	P (t)	R (t)	X (m)	Y (m)	L (m)	W (m)
H280GX	*	*	*	*	*	*	*	*

附著道數 Number of tie collars = (H-A-C)/B+1

超過100m高度，需降低載荷，請與公司聯繫。

Load should be reduced when the height exceeds 100m. Please contact Yongmao for details.

### 主要性能參數 Specifications

機構 Mechanism	UU		電動機 Motor kW		
	m/min	t			
100t	150LFV250B	0-7.5 0-30	100.0 20.0	750m >750m*	2 x 110
	80t	200LFV200B	0-10 0-18 0-26 0-35		
30DFV40	0-38 m/min		30		
15RFCV	0-0.3 rpm		4x15		
RT	*		*		

供電容量 Power supply	kVA	
380V(±10%) 60 Hz/50 Hz	150LFV250B : 360	200LFV200B : 290

\* 與製造商聯繫 Contact us, please.  
☆ 标准配置 Standard configuration.

本技術參數不受法律約束，技術資訊請詳見相應說明書。  
These specifications and data are not legally binding. For any technical information, please refer to corresponding instructions.

0  
0  
5  
6

Topless STT2200  
Topless STT2200



YONGMAO HOLDINGS LIMITED



YONGMAO HOLDINGS LIMITED