

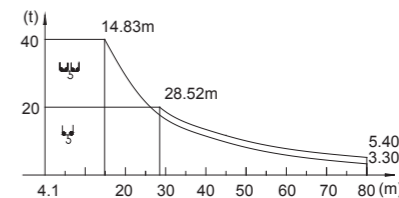
Topless

V 5.0-09112014

載荷表 Load Chart

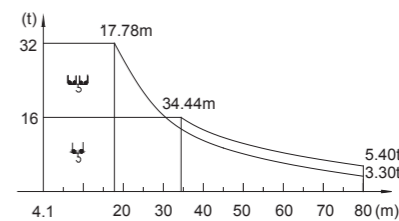
40t X-40-A(B)-1-V1.0

R (m)	倍率 Fall	R(C <sub>max</sub> ) (m)	C <sub>max</sub> (t)	25	30	35	40	50	60	65	70	75	80
80	⌌	14.83	40.00	20.87	16.46	13.36	11.47	8.14	5.97	5.14	4.44	3.83	3.30
	⌋	28.52	20.00	20.00	18.84	15.70	13.37	10.15	8.02	7.21	6.52	5.92	5.40
75	⌌	15.11	40.00	21.40	16.89	13.73	11.80	8.40	6.18	5.34	4.62	4.00	
	⌋	29.10	20.00	20.00	19.30	16.09	13.71	10.42	8.25	7.42	6.71	6.10	
70	⌌	15.46	40.00	22.06	17.44	14.19	12.21	8.73	6.45	5.59	4.85		
	⌋	29.84	20.00	20.00	19.87	16.57	14.13	10.75	8.53	7.68	6.95		
65	⌌	16.08	40.00	23.23	18.40	15.01	12.95	9.31	6.93	6.03			
	⌋	31.13	20.00	20.00	20.00	17.43	14.88	11.35	9.02	8.13			
60	⌌	16.58	40.00	24.16	19.17	15.67	13.54	9.77	7.32				
	⌋	32.17	20.00	20.00	20.00	18.12	15.48	11.82	9.42				
50	⌌	17.46	40.00	25.81	20.53	16.83	14.57	10.59					
	⌋	34.06	20.00	20.00	20.00	19.38	16.57	12.69					
40	⌌	17.50	40.00	26.57	21.16	17.36	15.05						
	⌋	35.00	20.00	20.00	20.00	20.00	17.15						



32t X-32-A(B)-1-V1.0

R (m)	倍率 Fall	R(C <sub>max</sub> ) (m)	C <sub>max</sub> (t)	25	30	35	40	50	60	65	70	75	80
80	⌌	17.78	32.00	20.87	16.46	13.36	11.47	8.14	5.97	5.14	4.44	3.83	3.30
	⌋	34.44	16.00	16.00	16.00	15.70	13.37	10.15	8.02	7.21	6.52	5.92	5.40
75	⌌	18.12	32.00	21.40	16.89	13.73	11.80	8.40	6.18	5.34	4.62	4.00	
	⌋	35.16	16.00	16.00	16.00	16.00	13.71	10.42	8.25	7.42	6.71	6.10	
70	⌌	18.55	32.00	22.06	17.44	14.19	12.21	8.73	6.45	5.59	4.85		
	⌋	36.06	16.00	16.00	16.00	16.00	14.13	10.75	8.53	7.68	6.95		
65	⌌	19.31	32.00	23.23	18.40	15.01	12.95	9.31	6.93	6.03			
	⌋	37.63	16.00	16.00	16.00	16.00	14.88	11.35	9.02	8.13			
60	⌌	19.92	32.00	24.16	19.17	15.67	13.54	9.77	7.32				
	⌋	38.90	16.00	16.00	16.00	16.00	15.48	11.82	9.42				
50	⌌	20.99	32.00	25.81	20.53	16.83	14.57	10.59					
	⌋	41.20	16.00	16.00	16.00	16.00	16.00	12.69					
40	⌌	21.48	32.00	26.57	21.16	17.36	15.05						
	⌋	40.00	16.00	16.00	16.00	16.00	16.00						



Topless STT753

0 0  
1 1  
1 2

Topless STT753  
Topless STT753

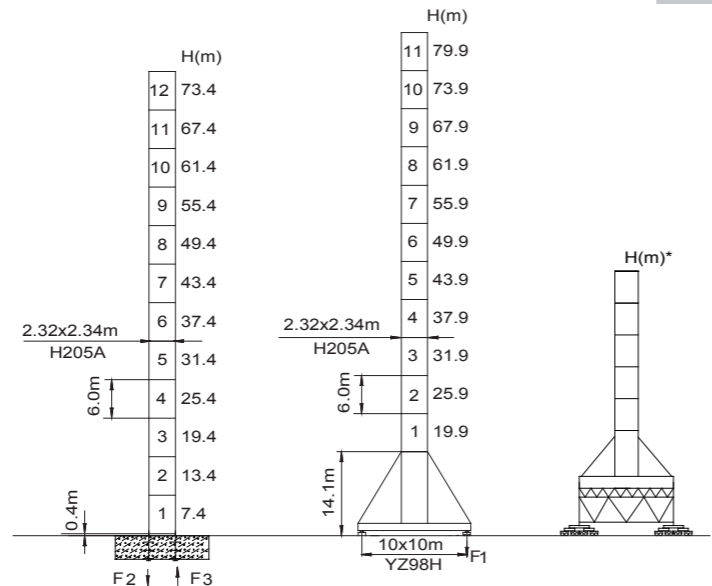


YONGMAO HOLDINGS LIMITED



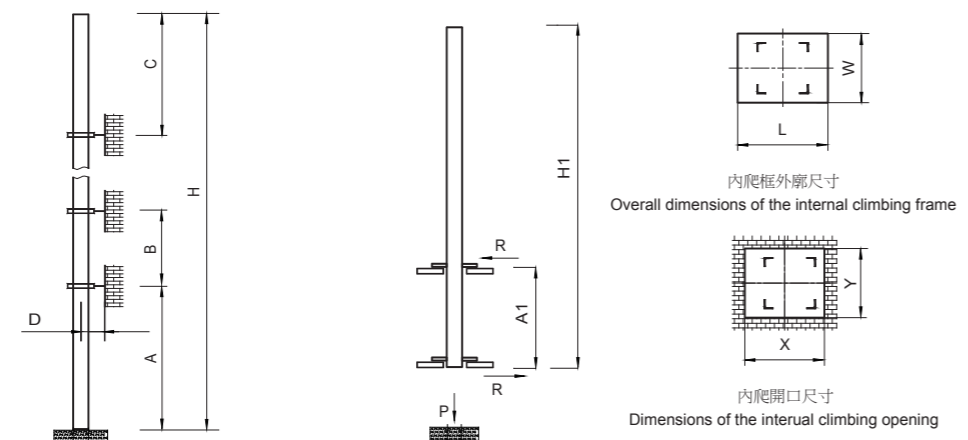
YONGMAO HOLDINGS LIMITED

# STT753 40/32t



	●	■
F2	356t	360t
F3	239t	251t
⊗	190t	

● 工作狀態支反力 In service reaction    ■ 非工作狀態支反力 Out of service reaction  
 ⊗ 整機自由高度重量 (不含平衡重及壓重重量) Total weight of free standing crane (excludes counter weight & ballast.)



塔身節 Mast	A (m)	B (m)	C (m)	D (m)	H (m)
H205A	57	42	48	>4.0	400 >400*

塔身節 Mast	H1 (m)	A1 (m)	P (t)	R (t)	X (m)	Y (m)	L (m)	W (m)
H205A	60	18	233	67.5	3.4	2.75	3.4	2.9

附著道數 Number of tie collars  $= (H-A-C)/B+1$   
 超過100m高度，需降低載荷，請與公司聯繫。  
 Load should be reduced when the height exceeds 100m. Please contact Yongmao for details.

Topless STT753

# STT753 40/32t

主要性能參數 Specifications

機構 Mechanism		⌒		⌒		電動機 Motor kW		
		m/min	t	m/min	t			
▲ ▼	40t	110LFV100DB	0-20 0-60 0-80	20.0 5.0 2.0	0-10 0-30 0-40	40.0 10.0 4.0	900m >900m*	110
	32t	110LFV80DB	0-34 0-40 0-136	16.0 13.0 3.0	0-17 0-20 0-68	32.0 26.0 6.0	880m >880m*	110
◀ ▶	18DFV20				0-56	m/min		18.5
⊙	7.5RFCV				0-0.6	rpm		3x145 N·m
⊗	RTV				0-15	m/min		4x7.5

供電容量 Power supply	KVA
380V (±10%) 50 Hz	110LFV100DB, 110LFV80DB : 175

\* 與製造商聯繫 Contact us, please.  
 ☆ 标准配置 Standard configuration.

本技術參數不受法律約束，技術資訊請詳見相應說明書。  
 These specifications and data are not legally binding. For any technical information, please refer to corresponding instructions.



YONGMAO HOLDINGS LIMITED



YONGMAO HOLDINGS LIMITED

0 0  
1 1  
3 4

Topless STT753  
Topless STT753